



GENERAL SPECIFICATIONS

OPERATION

Constant Current: 0 to selected full scale current
 Prog. Accuracy (Range): (high/med) ranges: $\pm 0.25\%$
 (low) range: $\pm 0.5\%$

Regulation: $\pm 0.1\%$ of selected full scale
 Resolution(IEEE): 1/4000 of selected full scale
Constant Resistance: Constant Resistance mode operates in Amps/Volt, IEEE units entered in ohms or A/V

Prog. Accuracy: $\pm 3\%$ of selected full scale
 Regulation: $\pm 3\%$ of selected full scale
 Resolution(IEEE): 1/4000 of selected full scale
Constant Voltage: 0 to selected selected full scale
 Prog. Accuracy (Range): (high/med) ranges: $\pm 0.25\%$
 (low): $\pm 0.5\%$

Regulation: $\pm 0.15\%$ of selected full scale
 Resolution(IEEE): 1/4000 of selected full scale
Constant Power: 0 to full scale power
 Prog. Accuracy: $\pm 3\%$ of full scale
 Regulation: $\pm 3\%$ of full scale
 Resolution(IEEE): 0.25% of full scale power

ANALOG MODE

Ext. Prog: 0 to 10 Volts input yields 0 to selected full scale loading in all operating modes.
 Input Impedance: 330k Ohms
 Prog. Response: Limited by internal adjustable slew rate limiter

PULSE MODE

Frequency: 0.06Hz to 20kHz
 Accuracy: 0.1%
 Duty Cycle: 0 - 100%(IEEE), 10 - 90%(Analog)
 Accuracy: 0.1%

Adjustable Slew Rate:

Max: 0 to full scale in 10 μ S
 Min: 0 to full scale in 10mS

OUTPUT SIGNALS

Current Sample Output:
 Scaling: 10 Volts = selected full scale

Accuracy: $\pm 0.5\%$ of selected full scale
Sync Output: Synchronous with pulse generator.
 Output: Sink with 10k pull up to +15V

PROTECTION

Current Limit: Analog Models: Approximately 105% of selected full scale current
 Range(IEEE): 0 - 105% of selected full scale
 Resolution(IEEE): 0.5% of selected full scale

Voltage Limit: Analog Models: Load disconnect at 105% of selected full scale voltage
 Range(IEEE): 0 - 105% of selected full scale
 Resolution(IEEE): 0.5% of selected full scale

Power Limit: Analog Models: Approximately 4250 Watts
 Range(IEEE): 0 - 4200 Watts
 Resolution(IEEE): 20 Watts

Thermal: Load disconnect at internal temperature of 105°C
Undervoltage: Load inhibited at less than 1 Volt, when enabled

IEEE-488 READBCKS

Current: Resolution: 1/4000 of Selected Full Scale
 Accuracy(Range): (High/Med): $\pm 0.25\% \pm 1$ Digit
 (Low): $\pm 0.5\% \pm 1$ Digit

Voltage: Resolution: 1/4000 of Selected Full Scale
 Accuracy(Range): (High/Med): $\pm 0.25\% \pm 1$ Digit
 (Low): $\pm 0.5\% \pm 1$ Digit

Power: Resolution: 1 Watt
 Accuracy: 0.50%

MISCELLANEOUS

AC Input: User Selectable 100VAC, 120VAC, 200VAC, 240VAC, $\pm 10\%$, 48 - 62 Hz @ 350W
Ambient Temp: 0°C to 40°C

RBL488 50-150-800

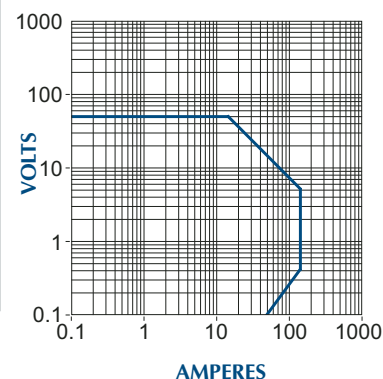
OPERATING RANGES (FULL SCALES)

Voltage: 10 Volts, 20 Volts, 50 Volts
Current: 2 Amps, 20 Amps, 150 Amps
Power: 800 Watts
Short Circuit: 0.0026 Ohms max.

CONSTANT RESISTANCE RANGES

High Ohms Mode			
Range	2A	20A	150A
10V	0-1 A/V	0-1 A/V	0-7.5 A/V
20V	0-.05 A/V	0-.5 A/V	0-3.75 A/V
50V	0-.02 A/V	0-.2 A/V	0-1.5 A/V
Low Ohms Mode			
Range	2A	20A	150A
10V	0-1 A/V	0-10 A/V	0-75 A/V
20V	0-.5 A/V	0-5 A/V	0-37.5 A/V
50V	0-.2 A/V	0-2 A/V	0-15 A/V

INPUT CHARACTERISTICS:



SAFE OPERATING AREA & SPECIFICATIONS

The RBL488-800 watt series is sleek and compact. The 800W model is ready to address all low-to-mid power load and test requirements and provides all modes of operation, all functions, full scale range switching and master/slave paralleling standard. The 800W RBL model provides the customer the ultimate in flexibility when it comes to decision time! Stand alone or 19 inch rack mountable (see accessories page 33). This series will meet or exceed all your performance, reliability and quality expectations.

- High Speed Adjustable Slew Rate
- Front Panel or Remote Control
- Operation to Less Than 200mv
- Pulse Load Shaping
- Full Range Switching

RBL488 100-120-800

OPERATING RANGES (FULL SCALES)

Voltage: 10 Volts, 50 Volts, 100 Volts
Current: 2 Amps, 20 Amps, 120 Amps
Power: 800 Watts
Short Circuit: 0.007 Ohms max.

CONSTANT RESISTANCE RANGES

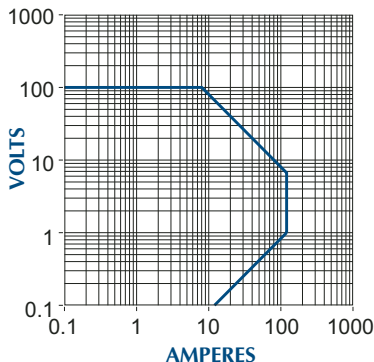
High Ohms Mode

Range	2A	20A	120A
10V	0-.1 A/V	0-1 A/V	0-6 A/V
50V	0-.02 A/V	0-.2 A/V	0-1.2 A/V
100V	0-.01 A/V	0-.1 A/V	0-.6 A/V

Low Ohms Mode

Range	2A	20A	120A
10V	0-1 A/V	0-10 A/V	0-60 A/V
50V	0-.2 A/V	0-2 A/V	0-12 A/V
100V	0-.1 A/V	0-1 A/V	0-6 A/V

INPUT CHARACTERISTICS:



RBL488 400-120-800

OPERATING RANGES (FULL SCALES)

Voltage: 20 Volts, 200 Volts, 400 Volts
Current: 2 Amps, 20 Amps, 120 Amps
Power: 800 Watts
Short Circuit: 0.03 Ohms max.

CONSTANT RESISTANCE RANGES

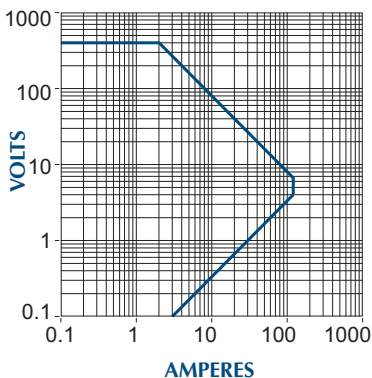
High Ohms Mode

Range	2A	20A	120A
20V	0-.05 A/V	0-.5 A/V	0-3 A/V
200V	0-.005 A/V	0-.05 A/V	0-.3 A/V
400V	0-.0025 A/V	0-.025 A/V	0-.15 A/V

Low Ohms Mode

Range	2A	20A	120A
20V	0-.5 A/V	0-5 A/V	0-30 A/V
200V	0-.05 A/V	0-.5 A/V	0-3 A/V
400V	0-.025 A/V	0-.25 A/V	0-1.5 A/V

INPUT CHARACTERISTICS:



RBL488 600-40-800

OPERATING RANGES (FULL SCALES)

Voltage: 20 Volts, 200 Volts, 600 Volts
Current: 2 Amps, 20 Amps, 40 Amps
Power: 800 Watts
Short Circuit: 0.035 Ohms max.

CONSTANT RESISTANCE RANGES

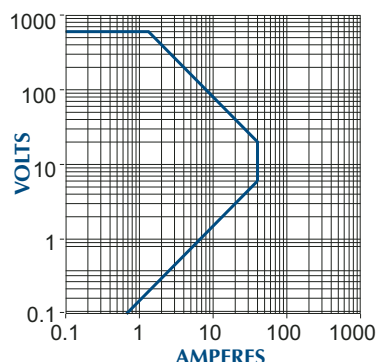
High Ohms Mode

Range	2A	20A	40A
20V	0-.05 A/V	0-.5 A/V	0-1 A/V
200V	0-.005 A/V	0-.05 A/V	0-.1 A/V
400V	0-.0025 A/V	0-.025 A/V	0-.05 A/V

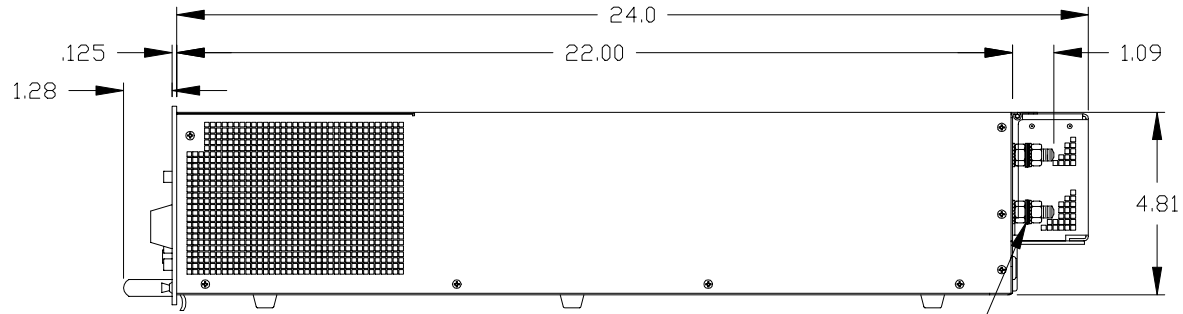
Low Ohms Mode

Range	2A	20A	40A
20V	0-.5 A/V	0-5 A/V	0-10 A/V
200V	0-.05 A/V	0-.5 A/V	0-1 A/V
400V	0-.025 A/V	0-.25 A/V	0-.5 A/V

INPUT CHARACTERISTICS:



800W OUTLINE



5/16-18 INPUT STUDS

(SAFETY COVER NOT SHOWN)

